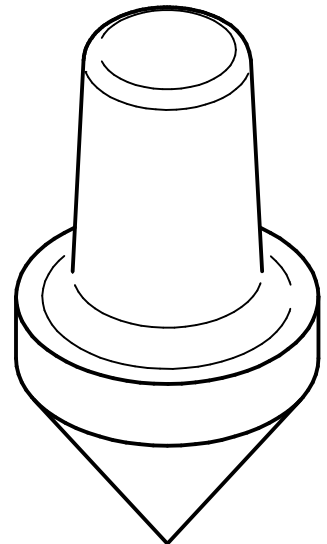
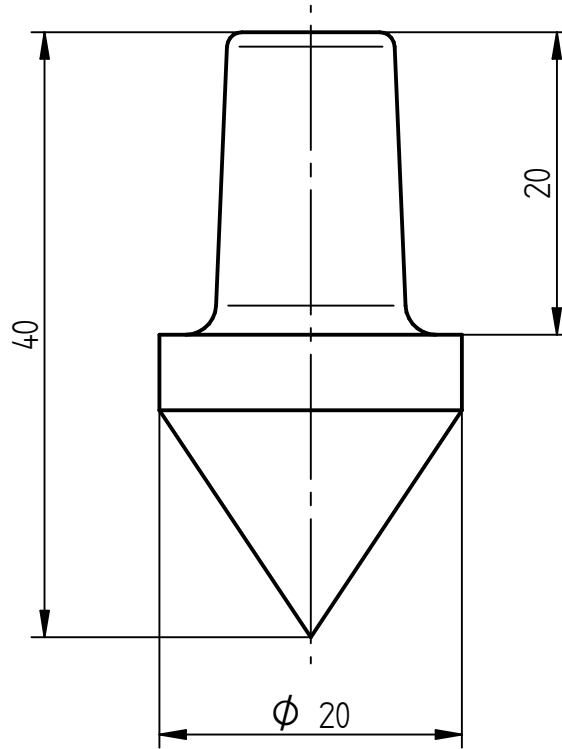


Product Specification

Ord.-No.: **2058**

Specification: Driving steel dart, St/gal. Zn
for earth rods \varnothing 20 type A, \varnothing 25 type C

Performance: Driving steel dart for driving earth rods/tubular earth rods type A/C.



Material	St/gal. Zn
Application	Driving earth rod \varnothing 20 mm type A / tubular earth rod \varnothing 25 mm type C
Weight	40 g
Packing unit	1 unit