

Product Specification

Ord.-No.: 2056; 2057

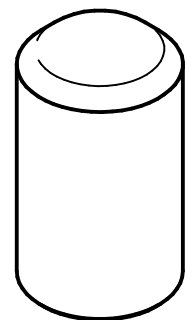
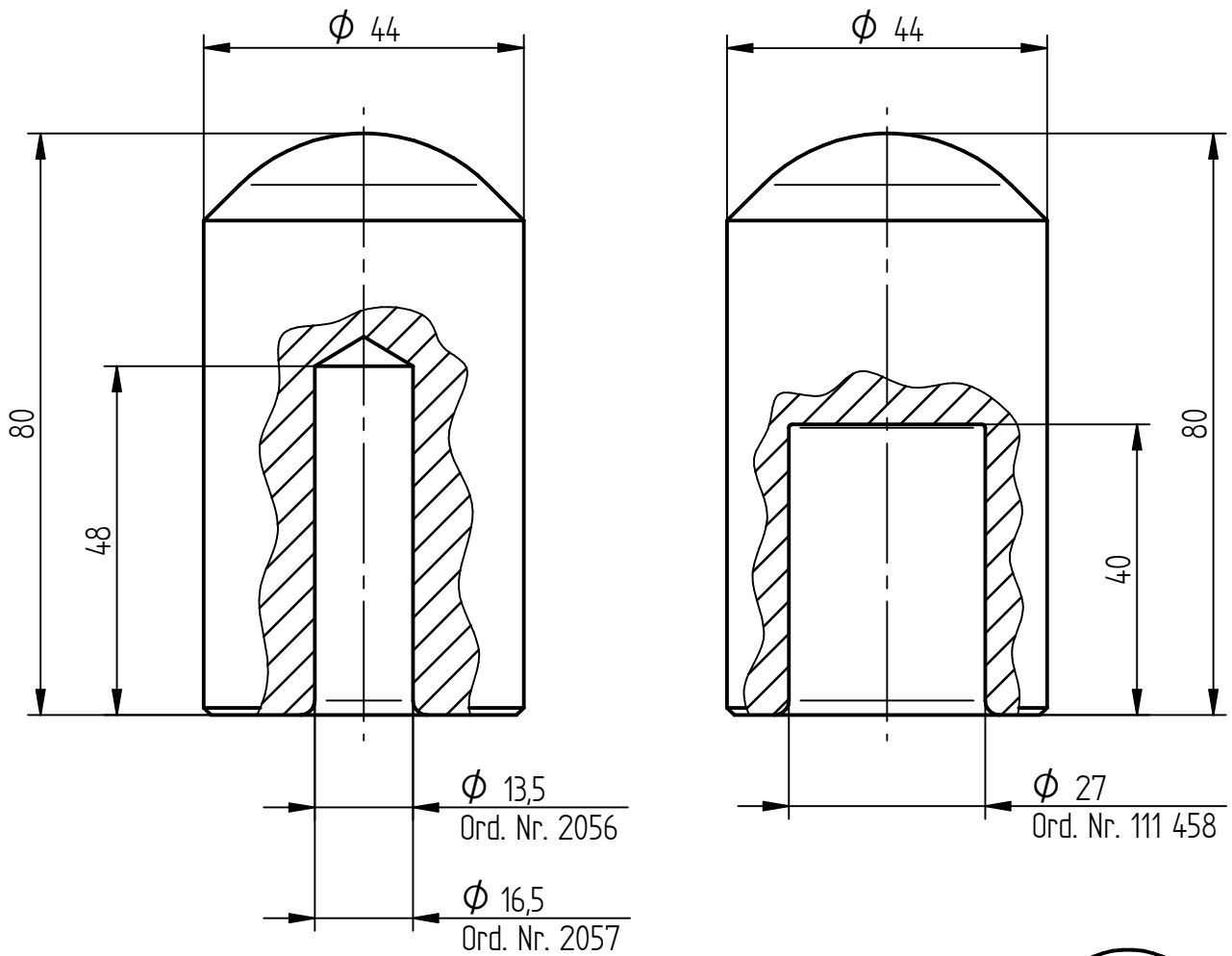
111 458

Specification: Driving head for all JP-earth rods (Ø 20 mm; Ø 25 mm)

Driving head for all JP-tubular earth rods (Ø 25 mm)

Performance: Driving head for manual driving in of all earth rods Ø 20 mm; Ø 25 mm of the J. Pröpster GmbH.

Driving head for manual driving in of all tubular earth rods Ø 25 mm of the company J. Pröpster GmbH.



Material	Hardened steel
Weight	ca. 0.8 kg
Packing unit	1 unit